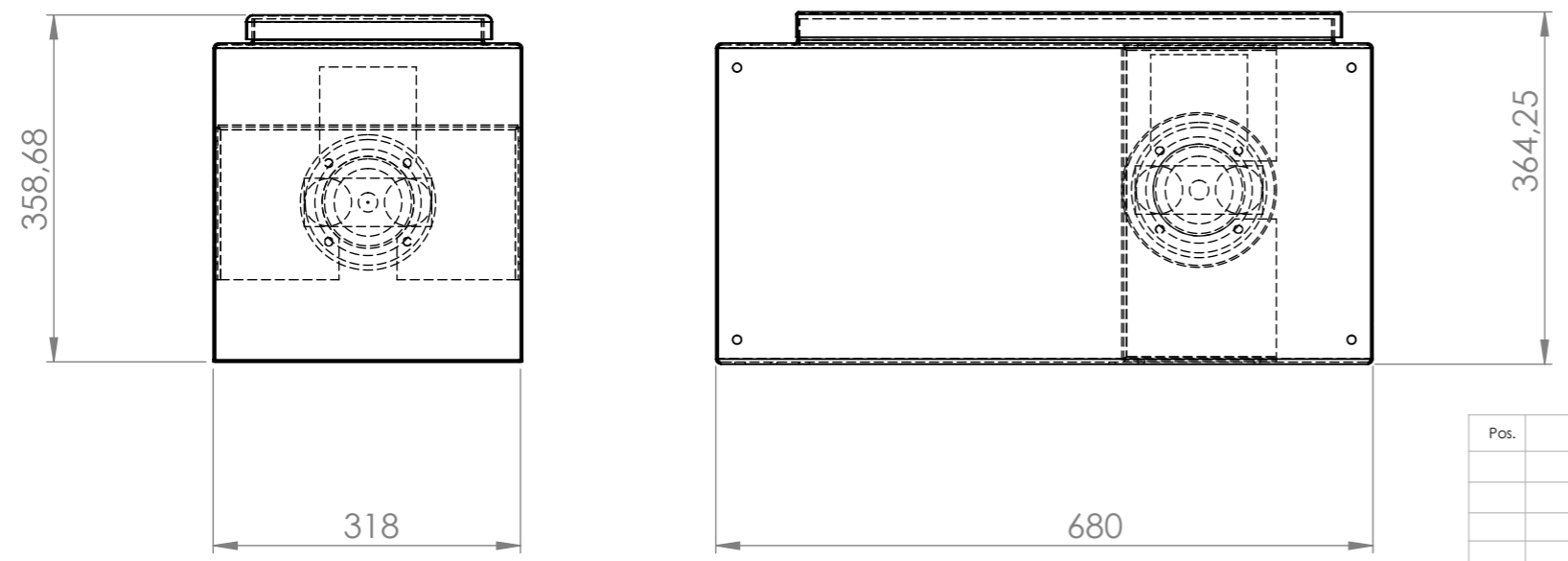
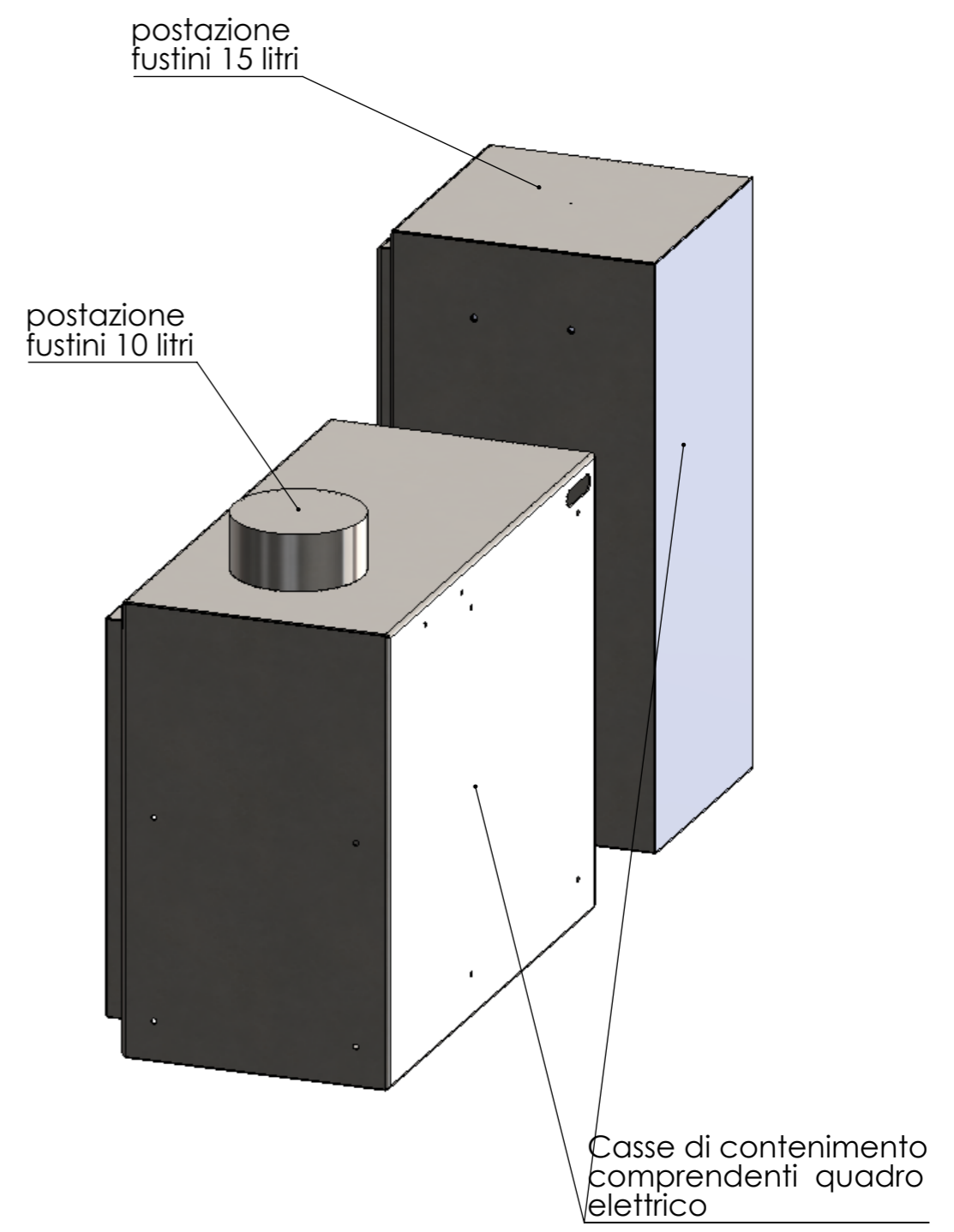
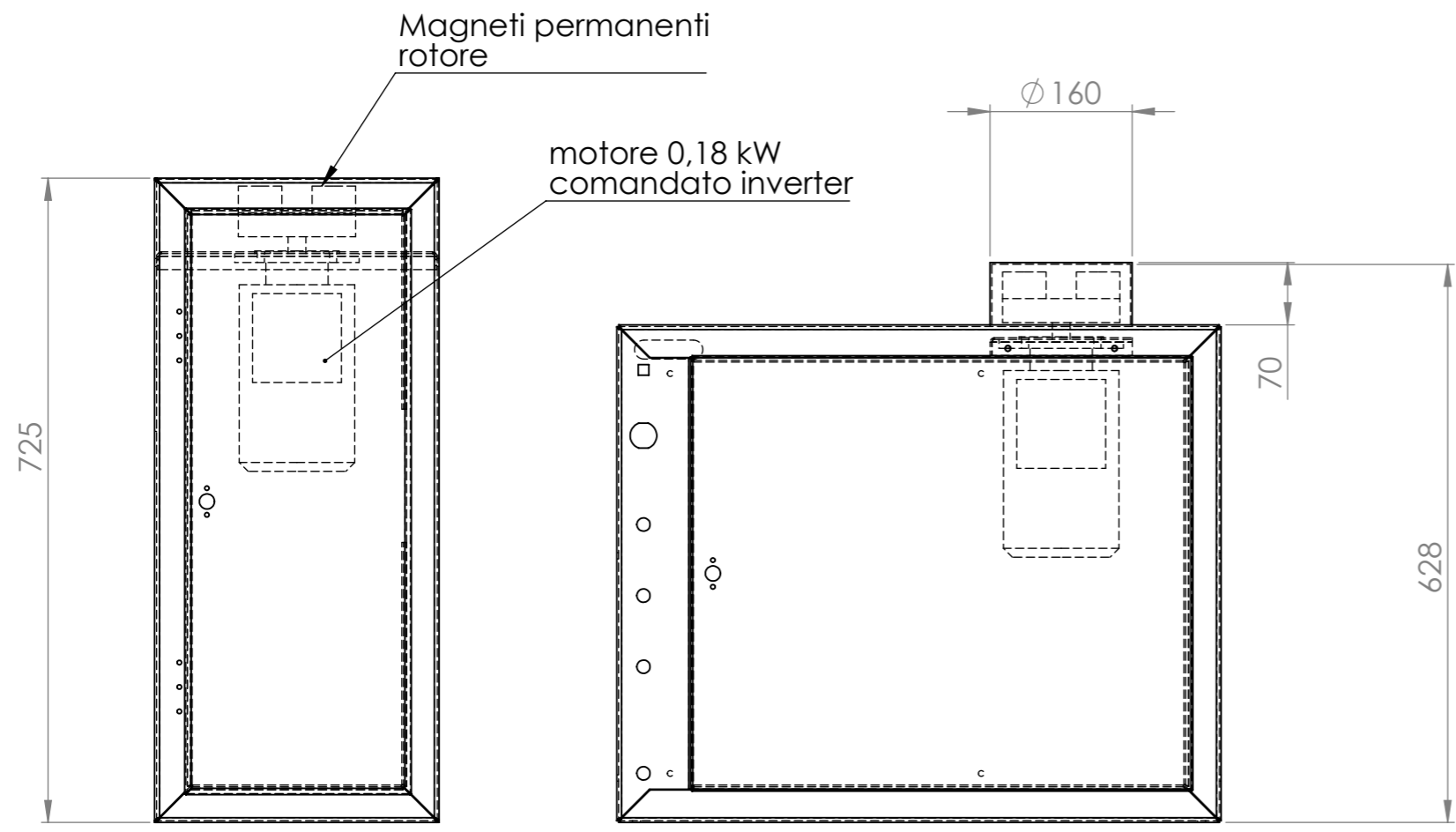



1 2 3 4 5 6 7 8

A B C D E F



Pos.	NAME	Qty N°	APPV'D	UNLESS OTHERWISE SPECIFIED: DIMENSIONS ARE IN MILLIMETERS SURFACE FINISH: TOLERANCES: LINEAR: ANGULAR:	DRAWN	DATE	 Z.G. Camini INOX s.r.l Via dei peschi 12 37141 Montorio Verona Italy Tel +39 / 0458840041 info@zgcamini.it
							Agitatori Magnetici
							DWG NO.
							AgMnX-140718-02
							A3
							SCALE:1:7,5
							DO NOT SCALE DRAWING
							REVISION

1 2 3 4 5 6 7 8

F